

Request for Proposal

Design-Build Road Construction (CPST3 Paving Programs)

Request for Proposal ("RFP"):

RFP Title:

No. FY16-0914 Design-Build Road Construction

RFP Publication:

As follows:

- 07/22/2016<http://www.orangeburgcounty.org/>
07/22/2016 SCBO and T&D Newspapers

RFP Composition:

RFP No. FY16-0914s composed of the following:

- Title and Summary pages
- Code Articles 1 through 5 and 7
- Scope of Work
- Vendor Qualifications and Information
- Evaluation Criteria
- Certification of No Exceptions
- Acknowledgement of RFP Amendments Form

RFP Amendments:

If any, will be published/posted on the following:

- <http://www.orangeburgcounty.org/>
- Bulletin boards located in/on

Basement Floor Administrative Centre, Procurement

Contracting Entity:

Orangeburg County Public Works
1550 Henley Street, NE
Orangeburg SC 29115
sboone@orangeburgcounty.org

Procurement Coordinator:

Procurement Director Jannella Shuler
Orangeburg County Procurement Office
1437 Amelia St. ("Administrative Center")
Orangeburg SC 29115
(803) 533-6121 Office phone number
(803) 535-2307 Office fax number
jshuler@orangeburgcounty.org

Pre-Submission of Proposals Requirements :

Proposers must attend pre-bid conference:

Date/Time: Wednesday, August 10, 2016 11:00 A.M.

Location: 1st Floor County Council Chambers

Representatives must be in attendance by 11:55 A.M. Attendance required for entire pre-bid

1437 Amelia Street,
Orangeburg, S. C. 29118

Questions: If Proposers have questions, same shall be directed to

Procurement Director

Mode of Communication

No later than

via e-mail only

August 24, 2015 by, 2:00 p.m.

Proposals:

Submission Composition:

Each submitted proposal is required to be composed of the following, including fully completed and executed forms:

- Code and Articles Form
- Certified Proposal Engineering/Construction
- Unit Price Worksheet for Each road and Complete Project
- Certification of Accuracy of Proposals (Total Cost)
- Certification of No Exceptions
- Vendor Qualifications Responses
- Certification of Preference(s)
- Acknowledgment of RFP Amendments Form
- Bid Security – See Attachment

Submission Deadline: September 14, 2016, @ 11:00 A.M.

Submission Location: Administrative Centre, Basement Floor Procurement Office

Opening Time: September 14, 2016, @ 11:05 A.M.

Opening Location: Administrative Centre, Basement Floor, Procurement Office

Special Conditions Intent/Award/Contract:

The intent to award the contract regarding FY16-0914 is subject to the following special conditions as so stated in Article 6: 6-102. Only names of proposers read aloud.

Code and Articles

RFP No.FY16-0914 Design - Build Road Construction

Incorporation by Reference.

Articles 1 through 5 and 7 of the Code are incorporated by reference as if set forth verbatim in this RFP. As stated in the Code, by submitting a proposal, the vendor agrees that the Code governs this procurement from solicitation through completion of the resulting contract, including disputes, if any.

ACCESS TO CODE. On November 16, 2009, Orangeburg County Council, the governing body of Orangeburg County, repealed all aspects of its procurement policy and enacted the **Orangeburg County Procurement Code** (the "Code"). The Code may be accessed online without charge at <http://www.orangeburgcounty.org/Purchasing/code.html> In addition; a copy of the Code is available for review without charge at the Office of the Procurement Director. If neither of those options meets your needs, a hard-copy of the Code is also available for purchase at the Office of the Procurement Director.

<http://www.orangeburgcounty.org/> _____ or

Method of Source Selection.

The source selection method applicable to this procurement is Competitive Sealed Proposals, §5-304 of the Code. The undersigned vendor understands and agrees to be bound to the Code in all matters arising from the RFP identified above.

Printed Vendor Name

Signature of Vendor's Authorized Agent

Printed Name of Vendor's Authorized Agent

Title with Vendor of Vendor's Authorized Agent

Date_____

RFP No.FY16-0914 Design - Build Road Construction

Bid Security

Each bid must be accompanied by a Bid Bond acceptable to the County. Bid Bonds must be issued by a corporate surety registered and authorized to do business in the State of South Carolina. Bid Bonds shall be payable to the County, shall be at least five (5) percent of the total amount of the bid and shall serve as guarantee deposit that the bid will be carried out to the complete satisfaction of the County.

Payment and Performance Security – Required only for the Awarded bidder

The successful bidder shall provide Performance and Payment Bonds, in a form satisfactory to the County in the following amounts no later than at the time of execution of the contract.

Payment Bond: 100% of the total amount of the Contract

Performance Bond: 100 % of the total amount of the Contract

Please see the County's Procurement Code Article 6 Construction and Related Services Part B –Retainage and Other Security 6-201 thru 6-204 for further details.

SCOPE OF WORK

It is the intent of Orangeburg County to solicit competitive sealed proposals from qualified proposers with the ability and capacity to design, manage, construct and provide all construction administration for this Orangeburg County 2016 CPST3 Paving Project. A listing of proposed roads is attached. The dirt roads in this project are located on the Eastern end of the County and are part of County Council Districts 1& 2.

The scope of work for this project will consist of the total roadway design, obtaining required permits from federal, state and local government agencies, construction support services to include site inspections and testing, staking any necessary lines and grades, traffic control which includes permanent construction signing and daily work area signing, clearing and grubbing right-of-way, site excavation, storm drainage, necessary erosion control, moving items (i.e., shrubs, fence, etc.), base course to include final grading, final cleanup and permanent seeding. Orangeburg County will acquire rights-of-way, assist with and pay for any utility relocations, place asphalt pavement upon fine graded base and place final roadway signing, raised pavement markers and stop bars.

Design/Construction Requirements

It is the intention of this proposal to have a teaming relationship formed between an engineering firm and a construction company to form a Design-Build Team. This team effort should produce a roadway design with estimated quantities for each road in this proposal. A unit price worksheet should be developed for each road and the estimated quantities used as a basis for bid purposes. This worksheet should also include a design engineering item and a construction engineering item with lump sum figures for each road just in case a road is designed and not constructed. A summary worksheet should also be submitted showing totals for all items and costs. The unit price worksheets will determine pay items on each road. It should be noted that estimated quantities used for bid purposes are just that. Lump sum items will be paid as bid, but items of work shown in units will be measured by the Engineer and invoiced based on the actual quantity used for construction. The design engineering pay item can be paid on the first two construction estimates. The Engineer will be required to certify the monthly estimates.

The proposed design will need to comply with the attached Orangeburg County Road Specifications and also comply with the current SCDOT Standard Specifications for Highway Construction. The County utilizes the SCDOT Specifications as a part of the construction requirements for all County roadways. The proposed design will be evaluated by the County.

The Design Engineer is to make every effort to design the roadways to minimize utility relocations. The Engineer/Contractor will be required to notify the County of any possible utility conflicts with road design and the County will coordinate relocation with the utility company to avoid any unnecessary delays during construction. The utility companies are responsible for the relocation of their respective lines. It will be the Contractor's responsibility to work with the utility company to coordinate the relocations of the utilities.

The standard road section will have 2" of hot-mix asphalt (supplied and placed by the County) with 4" Graded Aggregate Base Course and will be a normal crown section with side ditches or a valley gutter section. The maximum achievable pavement width should be 20' for a slab section and 26' for valley gutter. Other road sections will need to be approved by Orangeburg County Public Works.

The Contractor will be required to submit construction schedules. These schedules will need to be updated and submitted to OCPW monthly. The Design Engineer shall provide construction engineering and inspection as needed throughout the construction phase. The Contractor is required to submit all test reports and other verifications as required by Orangeburg County. If this information is not submitted as required, work on the roadway can and will be halted until such time as the information is submitted.

Once the construction on the roadways are completed, all parties will inspect the roadways. A list will be compiled of necessary items to be completed by the Contractor. Once these items are completed to the satisfaction of Orangeburg County, the Contractor will be released from any further responsibility and the roads will be accepted as complete.

Time is of the essence in starting and completing the scope of work. It is the contractor's responsibility to use great energy and diligence in performing the work, taking great precautions to avoid delays, keeping an adequate number of qualified workers on the job along with appropriate equipment to perform the work at hand and sufficient materials to satisfy the County that the work is being performed with the utmost rapidity consistent with proper workmanship. In connection with these promises, the County admits that damages are difficult to properly determine, but in any event are never less than \$150.00 a day to the County. As a result, the Contractor agrees to pay the County liquidated damages in the amount of \$150.00 a day for each calendar day after the completion date has been reached.

CPST3 Council District 1 - Road Construction List

Road Name	Road #	Miles
Balboa Ln.	0C-3202	0.3 mi.
Buckintella Ln.	OC-3650	0.2 mi.
Carribel Rd.	OC-3154	0.9 mi.
Caswell Ln.	00-3212	0.5 mi.
Clearwater Ct.	OC-3700	0.4 mi.
Moonlight Dr.	OC-3415	0.4 mi.
Peach Shed Rd.	00-3267	0.3 mi.
Round-0 Rd.	OC-3431	0.4 mi.
Sabrina Ln.	00-3417	0.4 mi.
	Total	3.8 miles

CPST3 Council District 2 - Road Construction List

Acorn Ln.	0C-3276	0.3 mi.
Brass Lantern Ln.	00-3453	0.4 mi.
Deer Trail Dr.	00-3697	0.2 mi.
Doberman Ln.	00-4474	0.4 mi.
Dolly Dr.	OC-4238	0.2 mi.
Hallmark Dr.	OC-4489	0.1 mi.
Lantana Ct.	00-3407	0.2 mi.
Nassau Dr.	00-4221	0.7 mi.
Prairie Ln.	OC-3383	0.3 mi.
Ragin St./Aloha Ln	00-3444	0.3 mi.
Kangaroo Ct.	OC-4467	0.1 mi.
Tarpon Ct.	OC-3379	0.4 mi.
	Total	3.6 miles

Supplemental Specifications

2014 ORANGEBURG COUNTY PROJECT (E) GENERAL

NOTES General Notes

- Base width for ditch sections shall extend 0.5 feet beyond the edge of pavement on each side.
- Ditch slopes may be adjusted to accommodate ditch depth and to provide adequate shoulder width
- Longitudinal ditch grades may vary, but shall maintain minimum slope of 0.3% unless approved by Public Works.
- Right-of-Way information shall be provided by the County, including plats where available. Where Right-of-Way is shown from the centerline of an existing dirt road, note that the existing and proposed centerline may not coincide. The Contractor is advised to request, from the County confirmation as to the location of Right-of-Way limits.
- All grading must take place within the limits of the Right-of-Way.
- Roadway to be centered within Right-of-Way using the typical section as a template. All intersection alignments shall conform to the requirements of SCDOT Access and Roadside Management Standards (latest edition) unless otherwise approved by Public Works.
- GABC to be placed to edge of Right-of-Way on all driveway aprons. Driveway apron throat width shall be 12 feet unless otherwise noted. GABC for additional driveways or for oversized throat widths shall be paid for at the Contract unit price per square yard (SY).
- HDPE Pipe, smooth core, 24 foot lengths may be used in driveway applications unless otherwise noted by Public Works.
- All cross line and intersection culverts will be Reinforced Concrete Pipe.
- Mailboxes and road signs will need to be relocated when existing width, alignment, or radii is changed or relocation is warranted. This will be done by the Contractor.
- Drainage structures may be field-adjusted as directed by Public Works to achieve finished grade while maintaining minimum cover requirements and a minimum pipe slope of 0.5%.
- The Contractor will be responsible for the placement of permanent construction signing and temporary signing for daily construction operations.

TECHNICAL SPECIFICATIONS

SUPPLEMENTAL SPECIFICATIONS

The "Standard Specifications for Highway Construction, Edition of 2007" as published by the South Carolina Department of Transportation shall govern the material and workmanship on this project and is incorporated within this Contract by reference, except where modified by the Supplemental Specifications and the Special Provisions included within this section. In addition, the "Standard Drawings for Road Construction" published by the South Carolina Department of Transportation are incorporated within this Contract by reference.

The following are some of the SCDOT supplemental specifications that may pertain specifically to the Project. Additional specifications, not included, but which may be required for the project are on file with the SCDOT and are available on the SCDOT web site:

<http://www.scdot.org/doing/doing.aspx>

The list of the Supplemental Specifications provided is as follows:

Supplemental Specification 11-07-01 Erosion Control

- **Supplemental Specification 09-05-04 Errata to Standard Specification for Highway Construction**
- **Supplemental Specification 09-05-01 Graded Aggregate Base, Composite Mixture**
- **Supplemental Specification 09-01-01 Erosion Control Measure**

The list of some of the Supplemental Technical Specifications that pertain are as follows:

- **SC-M-714 (08/09) Permanent Pipe Culverts**
- **SC-M-815-2 (03/08) Silt Fence Systems**

MOBILIZATION

.01 DESCRIPTION: Mobilization consists of the preparatory operations including: moving personnel and equipment to the project site; paying bond and insurance premiums; establishing offices, buildings, and other facilities necessary for work on the project; and all other preparatory work or costs incurred before beginning work on the project.

.02 MATERIALS: N/A.

.03 EQUIPMENT: N/A.

.04 CONSTRUCTION: N/A

.05 MEASUREMENTS AND PAYMENT: The quantity for the pay item Mobilization will not be measured for payment, but will be paid as a Lump Sum item distributed as a proportion of the amount of relevant work completed and accepted by Public Works. The proportion for partial payment shall be determined by the actual operations performed, completed, and accepted by Public Works. Payment is full compensation for performing the mobilization and all other materials, labor, equipment, tools, supplies, transportation, and incidentals necessary to complete the work in accordance with the Plans, the Specifications, and other terms of the Contract.

CONTROL OF WORK

.01 AUTHORITY OF THE ENGINEER: Orangeburg County Public Works shall have final authority for any design or construction decisions or changes.

.02 THE DESIGN PLANS: The design plans or construction plans will be the responsibility of the Engineer/Contractor Design Build Team and approved by Orangeburg County Public Works.

.03 CONFORMITY WITH PLANS AND SPECIFICATIONS: Refer to the SCDOT 2007 Standard Specifications for Highway Construction Section 105.3 in its entirety.

.04 COORDINATION OF PLANS, SPECIFICATIONS AND SPECIAL PROVISIONS: The Design Build Team will provide the Construction Plans and the County will provide **the** specifications for materials. It is the responsibility of the Contractor to have a complete understanding of the work to be performed prior to beginning any work. The County will determine any necessary changes to the plans or specifications prior to the work being performed. The County is not responsible for any work performed without these corrections and interpretations.

.05 COOPERATION BY CONTRACTOR: Refer to the SCDOT **2007 Standard** Specifications for Highway Construction Section 105.5 in its entirety.

.06 COOPERATION WITH UTILITIES: Refer to Design/Construction Requirements.

.07 COOPERATION BETWEEN CONTRACTORS: **If** applicable refer to the SCDOT 2007 Standard Specifications for Highway Construction Section 105.7 in its entirety.

.08 CONSTRUCTION STAKES, LINES, AND GRADES: If applicable refer to the SCDOT 2007 Standard Specifications for Highway Construction Section 105.8.2.1 - 105.8.2.6 and the following

MEASUREMENT AND PAYMENT: Construction Stakes, Lines, & Grades are the responsibility of the Contractor. Stakes/Lines/Grades will not be measured for payment, but will be paid as a Lump Sum item distributed as a proportion of the amount of relevant work completed and accepted by the Engineer. In no case will the sum of all payments for this item exceed the total bid amount for Construction, Lines, & Grades, which payment is fib compensation for **all** material, Labor, equipment, tools, supplies, transportation, and incidental work, including computations necessary to satisfactorily complete the work. The payment includes all direct and indirect costs and expenses required to complete the work.

.09 AUTHORITY AND DUTIES OF THE ENGINEERS REPRESENTATIVES: Refer to the SCDOT 2007 Standard Specifications for Highway Construction Section 105.9 in its entirety.

.10 INSPECTION OF WORK: Daily inspection of work shall be the responsibility of the Design Engineer.

.11 REMOVAL OF UNACCEPTABLE AND UNAUTHORIZED WORK: Refer to the SCDOT 2007 Standard Specifications for Highway Construction Section 105.11 in its entirety.

.12 LOAD RESTRICTIONS: **Refer** to the SCDOT 2007 Standard Specifications for Highway Construction Section 105.12 in its entirety.

.13 FAILURE TO MAINTAIN ROADWAY STRUCTURE: Refer to **the SCDOT 2007 Standard Specifications for** Highway Construction Section 105.12 in its entirety

.14 EROSION CONTROL: Temporary and Permanent erosion control measures **shall be** established to prevent erosion and water pollution in accordance with SCDHEC Best Management Practices and SCDOT Standard Drawings. Contractor shall be responsible for the installation and maintenance of permanent rip rap slope protection **and temporary** silt fence **as** described in Sections 804 and 815, respectively, of these Specifications.

CLEARING AND GRUBBING WITHIN RIGHTOF WAY

.01 DESCRIPTION: This section contains specifications for the materials, equipment, construction, measurement, and payment for clearing and grubbing of all vegetation, debris, and obstructions within the limits of the roadway, right of way, or other easement areas, except for such objects that are designated to remain, or are to be otherwise removed in accordance with the plans or other sections of these specifications.

Certain items, including mailboxes, road signs, landscape items and others, may require removal and relocation outside of the Right-of-Way limits due to changes to the existing roadway width, alignment, or turning radii or when relocation is otherwise warranted. All moving items, as described above, shall be removed, stored and relocated in such a way as to return the items in the same or better condition, in all respects, as that which existed before construction. No measurement or payment shall be made for moving and relocating items as this work shall be considered incidental to the Pay Item: Clearing and Grubbing. The Contractor is required to determine the extent and cost of this work and **to** include **this** cost within the Lump Sum (LS) Contract unit price for Clearing and Grubbing.

.02 MATERIALS: none specified.

.03 EQUIPMENT: Ensure that the equipment necessary for the proper construction **of the** work is on site, **in** acceptable working condition, and approved by Public Works as to both type **and** condition before commencement of work.

.04 CONSTRUCTION: Where clearing and grubbing within right-of-way is required, clear and grub the entire area within **the** right-of-way lines. Do not cut, damage, or destroy timber beyond the right-of-way lines unless the Plans or the Special Provisions provide for clearing such areas as necessary **to** complete the work. Do not remove or damage trees, plant specimens, or other objects considered valuable by adjacent property **owners or that are** aesthetically desirable **and are designated by** Public Works **to** remain.

.05 MEASUREMENT AND PAYMENT: The quantity for the pay item Clearing and Grubbing will not be measured for payment, but will be paid as a Lump Sum item distributed as a proportion of the amount of relevant work completed and accepted by the Engineer. The proportion for partial payment shall be determined by the actual surface **area** over which clearing or grubbing operations were performed, completed, and accepted by Public Works. Payment is full compensation for performing the clearing and grubbing work as specified or directed and includes proper removal and disposal of timber and debris; removal, storage and relocation of moving items as described above; and all other materials, labor, equipment, tools, supplies, transportation, and incidentals necessary **to** complete the work in accordance with the Plans, **the** Specifications, and other terms of the Contract

ROADWAY AND DRAINAGE EXCAVATION

SITE EXCAVATION

UNCLASSIFIED EXCAVATION

CONTINGENT BORROW EXCAVATION

.01 DESCRIPTION: This section contains specifications for the work associated **with roadway** and drainage excavation performed on this project regardless of the materials encountered **or the manner in** which they are removed.

Site Excavation includes the work described in Subsection 203.2.1.1 of the SCDOT 2007 Standard Specifications.

It is the Contractor's responsibility to inspect the site and determine the actual amount of excavation needed to complete the project.

Contingent Borrow Excavation includes the work described in Subsection 203.2.1.8 of the SCDOT 2007 Standard Specifications. This is a contingent item, and its use is allowed **only with the approval of Public Works.**

.02 MATERIALS: Refer to the SCDOT 2007 Standard Specifications for Highway Construction Section 203.2 in its entirety.

.03 EQUIPMENT: Refer to the SCDOT 2007 Standard Specifications for Highway Construction Section 203.3 in its entirety.

.04 CONSTRUCTION: Refer to the SCDOT 2007 Standard Specifications for Highway Construction Section 203.4 in its entirety.

.05 MEASUREMENTS AND PAYMENT: Site Excavation will not be measured for payment but will be paid as a Lump Sum item. Refer to the SCDOT 2007 Standard Specifications for Highway Construction Section 203.5.6 and 203.6.7. Contingent Borrow Excavation will be measured and paid for at the Contract unit price per cubic yard (CY). Refer to the SCDOT 2007 Standard Specifications for Highway Construction Section 203.1 and 203.6.2. Payment for Site Excavation is full compensation for all labor, materials, equipment, excavation, compaction, proof-rolling, disposal and incidentals necessary to complete this item of work.

DRESSING SHOULDERS

.01 DESCRIPTION: Dressing Shoulders consists of dressing shoulders **to** meet specified typical cross-section provided for project after paving has been completed.

.02 MATERIALS: Refer to the SCDOT 2007 Standard Specifications for Highway Construction Section 203.2 **in** its entirety.

.03 EQUIPMENT: Refer to the SCDOT 2007 Standard Specifications for Highway Construction Section 203.3 in its entirety.

.04 CONSTRUCTION: Refer to the SCDOT 2007 Standard Specifications for Highway Construction Section 203.4 in its entirety.

.05 MEASUREMENTS AND PAYMENT: Site **Excavation** will be measured and paid for **at** the Lump Sum Price as Necessary. Dressed Shoulders will not be paid until a satisfactory inspection of said shoulders as they pertain to the specified typical cross-section has been performed by the County or Engineer. The payment shall be full compensation for all Labor, materials, equipment, excavation, selected backfill material, compaction, proof rolling, disposal and incidentals necessary to complete this item of work.

GRADED AGGREGATE BASE COURSE

.01 DESCRIPTION: This section contains specifications for the materials, equipment, construction, measurement, **and payment for construction of** a base course graded aggregate materials specified herein on a properly prepared foundation (sub-grade or sub-base) in conformance with the lines, grades, dimensions, and cross-sections shown on the Plans or as directed by the Engineer.

.02 MATERIALS: Refer to the SCDOT 2007 Standard Specifications for Highway Construction Section 305.2 in its entirety. Recycled Asphalt Pavement (RAP) is not an acceptable substitute for Graded Aggregate Base.

.03 EQUIPMENT: Refer to the SCDOT 2007 Standard Specifications for Highway Construction Section 305.3 in its entirety.

.04 CONSTRUCTION: Refer to the SCDOT 2007 Standard Specifications for Highway Construction Section 305.4 in its entirety.

.05 MEASUREMENT AND PAYMENT: Refer to the SCDOT 2007 Standard Specifications for Highway Construction Section 305.5.2 and Section 305.6 in its entirety.

CONTINGENT MAINTENANCE STONE

.01 DESCRIPTION: This section contains specifications for the materials, equipment, construction, measurement, and **payment for increasing the strength of the subgrade or sub-base by the addition** of crushed stone, **gravel, or slag in conformance with lines, grades, dimensions, and** cross-sections shown on the plans or as directed by the **Engineer. This is a contingent item, and its use is allowed only with the approval of Public Works.**

.02 MATERIALS: Refer to the SCDOT 2007 Standard Specifications for Highway Construction Section 302.2 in its entirety.

.03 EQUIPMENT: Refer to the SCDOT 2007 Standard Specifications for Highway Construction Section 302.3 in its entirety.

.04 CONSTRUCTION: Refer to the SCDOT 2007 Standard Specifications for Highway Construction Section 302.4 in its entirety.

.05 MEASUREMENT AND PAYMENT: The quantity for the pay item Contingent Maintenance Stone is the weight of the aggregate incorporated into the project as specified and measured by the ton (TON) of the material as weighed in trucks on approved platform scales and incorporated into the finished work, complete and accepted. Payment for the accepted quantity of Maintenance Stone is determined using the Contract unit bid price for the item. Payment is full compensation and includes all items required for placement per the Plans, Specifications, or as directed by the Engineer.

MAINTENANCE OF TRAFFIC

.01 DESCRIPTION: This work shall consist of all labor and material necessary to maintain traffic, both vehicular and pedestrian, on, along, or through the work area. This Item sets forth the traffic control requirements necessary for the safe and continuous maintenance of traffic throughout the area affected by the work.

.02 MATERIALS: All materials shall be in accordance with Division 600 of the SCDOT 2007 Standard Specifications for Highway Construction.

.03 EQUIPMENT: Not Applicable

.04 CONSTRUCTION: A predetermined Traffic Control Plan (TCP) shall be submitted seven (7) calendar days prior to the start of work. The TCP shall be submitted to Public Works for review and verification of conformance with Part VI (Temporary Traffic Control) of the latest edition of the Manual on Uniform Traffic Control Devices (MUTCD). The TCP shall address the type, size, and placement of signs, job location and personnel to be used.

- A. All traffic control devices and methods used shall **conform to** the Manual on Uniform Traffic Control De-vices (MUTCD), latest edition.
- B. Contractor to provide sufficient number of flagmen and take all necessary precautions for the protection of the work area and safety of **the** public. When **not in** visual contact, flammers shall be equipped with two-way radios to facilitate the safe flow of traffic through the construction zone.
- C. Signs shall be new or in like-new condition. Signs that become faded, illegible, or damaged shall be replaced as directed by **the** Engineer.
- D. On projects where traffic is detoured around the work area, Contractor shall place signing as shown by **the TCP**.
- E. On projects where traffic is to be maintained through the work area, the Contractor shall maintain one (1) lane traffic during work hours and two (2) lanes during non-work hours. Full closure with appropriate detour will be considered on a case by case basis only.
- F. Temporary traffic control devices shall be utilized throughout all construction operations. G. All salvaged material and devices, i.e. TCP signs, **etc.**, shall become the property of the Contractor.
- H. Weeds, shrubbery, construction equipment or material, spoil, etc., shall not be allowed to obscure any traffic control device.
- I. All personnel on the project **site shall** comply with Federal OSHA regulations. At a minimum, all personnel shall wear reflective safety vests within the work zone.
- J. All lane closures and times shall be submitted by the Contractor in their Traffic Control Plan for approval by the Engineer.

.05 MEASUREMENT AND PAYMENT: Maintenance of traffic **will not be measured for** payment, but will be paid as a Lump Sum item distributed proportionately to each month's pay request. Any discrepancies from the Contract plans and/or the MUTCD will be documented and provided to the Contractor **for** resolution. Any discrepancies not resolved by the Contractor may constitute **a** corresponding reduction **of** payment. Payment will be full compensation for all labor and materials necessary to maintain traffic including but not limited to flagmen, signs, temporary pavement markings, lights, water, barricades, and furnishing, placing, replacing, repairing, restoring, and moving traffic control devices necessary **for the fulfillment of the** Contract requirements and implementation of the approved TCP.

PERMANENT PIPE CULVERTS

15" HDPE, SMOOTH CORE, 24' LENGTHS

18" HDPE, SMOOTH CORE, 24' LENGTHS

15" RCP, CLASS III

18" RCP, CLASS III

.01 DESCRIPTION: This work shall consist of installing new High-Density Polyethylene Pipe (HDPE) or new Reinforced Concrete Pipe (RCP) on a firm bed to the specified line and grade and cleaning the existing pipes as shown on the construction plans or as directed by the Engineer.

.02 MATERIALS: Backfill shall comply with all applicable specifications of the most current SCDOT Standard Specifications for Highway Construction Section 714 unless otherwise instructed by the Engineer. Concrete Mix shall comply with all applicable specifications of the most current SCDOT Standard Specifications for Highway Construction Division 700 unless otherwise **instructed** by the Engineer. Pipe shall meet all SCDOT

requirements.

.03 EQUIPMENT: Refer to the SCDOT 2007 Standard Specifications for Highway Construction Section 714 in its entirety.

.04 CONSTRUCTION: Pipe lengths and gradients shall be verified by the Contractor and shall be acceptable to the Engineer before installation. Upon completion, the pipes shall be cleaned and the material disposed of properly.

- A. Excavation: When a pipe is to be laid on existing ground, on or under fill, embankment shall be constructed to a height of at least 9 in but not more than 3 ft. above the proposed top of the pipe. The trench shall then be excavated to receive the pipe. The width of trench shall be sufficient to permit thorough tamping of the backfill under the haunches and around the pipe. This width shall be twice the outside diameter of the pipe or the outside diameter plus 18 in. on each side, whichever is less.
- B. Bedding: When rock is encountered, it shall be removed and replaced with a minimum 8 in. of selected backfill as directed by the Engineer. When unsuitable foundation material is encountered, it shall be removed and replaced with selected backfill for the full width of the trench as directed by the Engineer.
- C. Installation: Pipes shall be laid with hubs up grade. A single lay hole through the shell of the pipe will be permitted with an approved lifting device. The lay hole shall be cast in the pipe during fabrication or cored without damaging any reinforcement. After installation, the lay hole shall be permanently sealed by filling with mortar, rubber plug, or other means approved by the Engineer. Wood plugs are prohibited.
- D. Joints: Joints shall be sealed with rubber type gaskets (circular pipe) or resilient type material (elliptical pipe) conforming to SCDOT specifications. Mortar joints are prohibited.
- E. Pipe Encasement: When specified in the Contract Documents or when directed by the Engineer, pipes shall be encased using Concrete as directed by the Engineer.
- F. Backfill: Earth for backfill shall be free from large lumps, clods, and rocks and shall be placed along the side of the pipe for the full width of the trench in layers not exceeding 6 inches un-compacted depth. Compaction shall conform to SCDOT standards. Each layer shall be compacted simultaneously on both sides of the pipe by means of an approved mechanical tamper. Special care shall be taken to compact the backfill thoroughly under the haunches of the pipe. This method of filling and compaction shall continue until the backfill is completed to a minimum height of 9 in. above the top of pipe. The Contractor shall protect all pipe from damage due to construction equipment or other vehicular traffic passing over the pipe. Backfill may be placed immediately after laying the pipe, provided that all joints have been sealed as specified.
- G. Removal of Existing Pipe Culverts: When specified by Public Works existing pipe culverts shall be removed and become the property of the Contractor. The Contractor is responsible for the haul-off of any demolished pipe and/or other demolition debris. Backfilling of trenches resulting from pipe removal shall comply with SCDOT specifications.

.05 MEASUREMENT AND PAYMENT: The payment for all HDPE and RCP will be full compensation for all removal and disposal of the existing pipe, applicable excavation, sheeting, shoring, dewatering, hauling, invert paving, storing, re-handling of material, removal and disposal of excess and unsuitable material, tamped fill, forming bed or foundation, backfill, compaction and for all material, labor, equipment, tools, and incidentals necessary to complete the work. Newly installed pipe will be measured complete in place and paid for at the Contract unit price per lineal foot.

Installed pipe will not be paid for until a satisfactory inspection of said pipe has been performed in accordance with the Construction Inspection as outlined herein.

.06 CONSTRUCTION INSPECTION: Visually inspect 100% of pipe for fractures, cracks, spalling, chips, and breaks during all phases of the installation process. Inspect joints, including tongues and grooves. Chipped pipe ends that prevent the full bond between joint sealant/gasket and both pipes may only be installed in drainage structures at the ends of pipe runs where they will be grouted over. Inspect installed joints for missing, damaged, or improperly installed joint sealant or gasket. Verify line and grade in accordance with the frequencies detailed in the Construction Manual.

When improper installation **or** damage is **noted** during the construction inspection of the pipe, repairs must **be made to the** satisfaction of the Engineer. Additional inspections may be performed until confidence is **restored that the** installation has been performed in accordance with these specifications.

CATCH BASINS, DROP INLETS, MANHOLES, JUNCTIONBOXES AND SPRING BOXES

TYPE-9 CATCH BASIN

DROP INLET (24"x36"x3')

DROP INLET (24"x36"x4')

.01 DESCRIPTION: Refer to the SCDOT **2007 Standard** Specifications for Highway Construction Section 719.1 in its entirety.

.02 MATERIALS: Refer to the SCDOT 2007 Standard Specifications for Highway Construction Section 719.2 in its entirety.

.03 EQUIPMENT: Refer to the SCDOT **2007 Standard** Specifications for Highway Construction Section 719.3 in its entirety.

.04 CONSTRUCTION: Refer to the SCDOT **2007 Standard** Specifications for Highway Construction Section 719.4 in its entirety.

.05 MEASUREMENT AND PAYMENT: Refer to the SCDOT 2007 Standard Specifications for Highway Construction Section 719.5 and 719.6 in its entirety

RIP RAP

.01 DESCRIPTION: This section contains specifications for the materials, equipment, construction, measurement, and payment for the construction of the **protective layer of broken stone** used as slope protection in conformity with the Plans, Specifications or as directed by the Engineer.

.02 MATERIALS: Refer to the SCDOT 2007 Standard Specifications for Highway **Construction Section 804.2.11 in its entirety. Contractor shall use Class 2, Type B Geotextile Fabric for erosion control under rip rap.**

.03 EQUIPMENT: Refer to the SCDOT 2007 Standard Specifications for I Highway Construction Section 804.3 in its entirety.

.04 CONSTRUCTION: Refer to the SCDOT **2007 Standard** Specifications for Highway Construction Section 804.4.1, 804.4.2, and 804.4.6.

.05 MEASUREMENT AND PAYMENT: The quantity for the pay item Rip Rap shall be measured and paid for at the Contract unit price per ton (TON) of Rip Rap in-place, complete and accepted. Payment for Rip Rap is full compensation for furnishing and placing rip rap protection as specified or directed and includes preparing slopes, excavating the footing trench, furnishing and placing geotextile fabric under rip rap; and all other materials, labor, equipment, tools, supplies, transportation, and incidentals necessary to construct the slope protection in accordance with the Plans, Specifications, or as directed by the Engineer.

SILT FENCE

.01 DESCRIPTION: This section contains specifications for the materials, equipment, construction, measurement, and payment for the placement of temporary Silt Fence to prevent erosion and water pollution through the use of best management practices in conformity with the Plans the Specifications, SCDOT Standard drawings, or as directed by the Engineer.

.02 MATERIALS: Refer to the SCDOT 2007 Standard Specifications for Highway Construction Section 815.2.5 in its entirety.

.03 EQUIPMENT: Refer to the SCDOT 2007 Standard Specifications for Highway Construction Section 815.3 in its entirety.

.04 CONSTRUCTION: Refer to the SCDOT 2007 Standard Specifications for Highway Construction Section 815.4.6 in its entirety.

.05 MEASUREMENT AND PAYMENT: The quantity for die pay item Silt Fence shall be measured and paid for at the Contract unit price per lineal foot (LF) of silt fence in-place, complete and accepted. Payment for Silt Fence is full compensation for furnishing and installing silt fence as specified or directed and includes installation; maintenance, including removal of sediment deposits; and all other materials, labor, equipment, tools, supplies, transportation, and incidentals necessary to construct the silt fence in accordance with the Plans, Specifications, or as directed by the Engineer.

THE SOUTH CAROLINA MINING ACT

The South Carolina Mining Act enacted by the General Assembly in 1973 requires that the Department adopt reclamation standards to govern activities of the Department and any person acting under contract with the Department, on highway rights-of-way or material pits maintained solely in connection with the construction, repair and maintenance of the public road systems in South Carolina.

STANDARD PLAN FOR THE RECLAMATION OF EXCAVATED AREAS ADOPTED

BY THE South Carolina DEPARTMENT OF TRANSPORTATION

Reclamation plans as stated herein shall include all areas disturbed in excavations of borrow and material pits, except planned inundated areas.

The final side slopes of areas excavated for borrow and material pits shall be left at such an angle so as to minimize erosion and the possibility of slides. The minimum slope in every case shall be not less than 3:1.

Small pools of water should not be allowed that are, or are likely to become noxious, odious, or foul to collect or remain on the borrow pit. Suitable drainage ditches, conduits, or surface gradient shall be constructed to avoid collection of noxious, odious, or foul pools of water unless the borrow pit is to be reclaimed into a lake or pond.

Borrow pits reclaimed to a lake or pond must have an adequate supply of water to maintain a water sufficient level to maintain a minimum water depth of four (4) feet on at least fifty (50) percent of the surface area of the lake or pond.

Excavated areas will be drained where feasible unless otherwise requested by the property owner where, in such instances, the property owner may wish to develop the excavated area for recreational purposes or for the raising of fish, or for other uses, in compliance with the South Carolina Mining Act.

Where material is stripped from the ground surface in relatively thin layers, the area, after excavation has been completed, will be thoroughly scarified and terraced and planted to establish satisfactory vegetation necessary to control erosion. Vegetative cover should be established on a continuing basis to ensure soil stability appropriate to the area. Conservation practices essential for controlling both on-site and off-site erosion and siltation must be established. A minimum of seventy-five (75) percent vegetative ground cover, with no substantial bare spots, must be established and maintained into the second growing season.

Excavated areas that are drained will be seeded to obtain a satisfactory vegetative cover. The side slopes of excavated area will be planted to vegetation.

The State Highway Engineer, or his duly appointed representative, will make a final inspection of the reclaimed area and keep a permanent record of his approval thereof. A map or sketch providing the location and approximate acreage of each pit used on the project will be made available to the Final Plans Engineer.

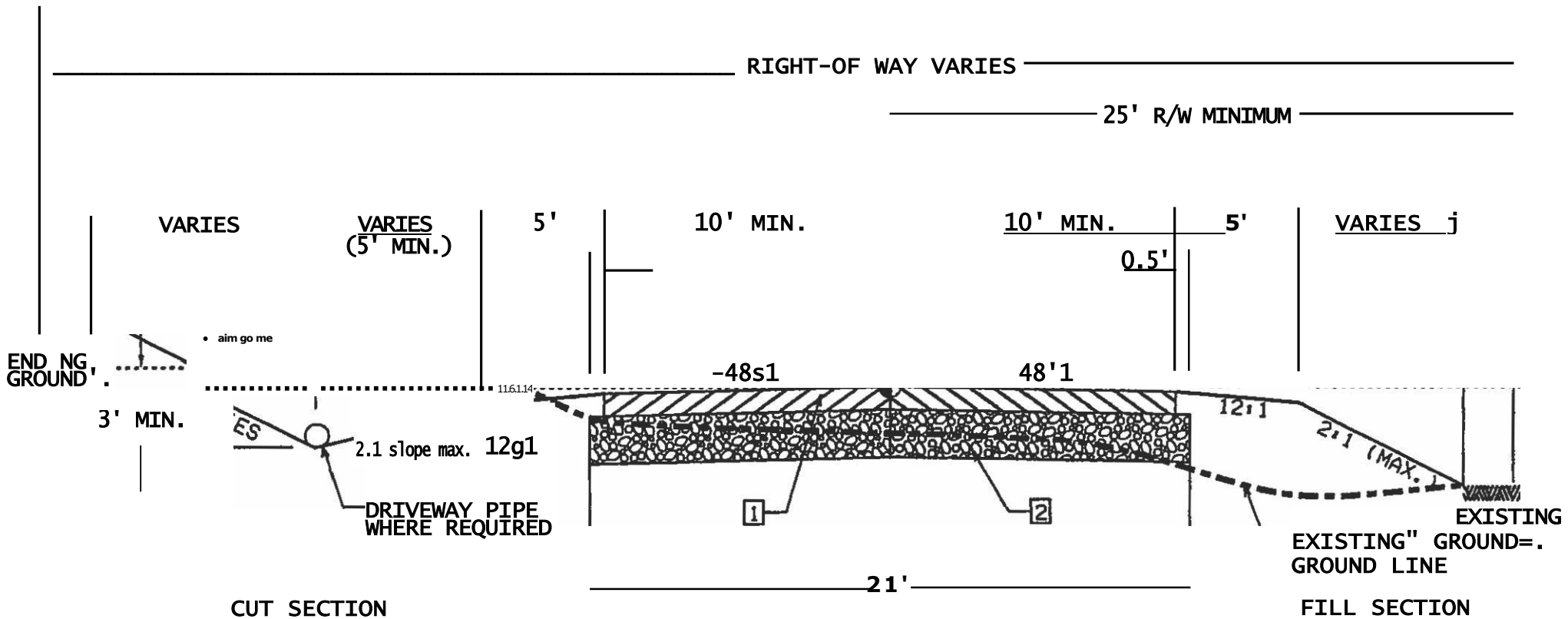
All applicable regulations of agencies and statutes **relating** to the prevention and **abatement of pollution shall be** complied with by the contractor in the performance **of the contract**.

The Contractor shall comply with the provisions of the Plan which are applicable to the project as determined by the Engineer. Seeding or other work necessary to comply with the plan on pits furnished by the contractor shall be at the expense of the contractor. Bermuda shall not be planted on ground surface pit areas. The quantity of fescue seed specified in Subsection 810.04 of the Standard Specifications shall be increased by fifteen (15) pounds in lieu of the deleted Bermuda seed.

EXAMPLE
UNIT PRICE WORK

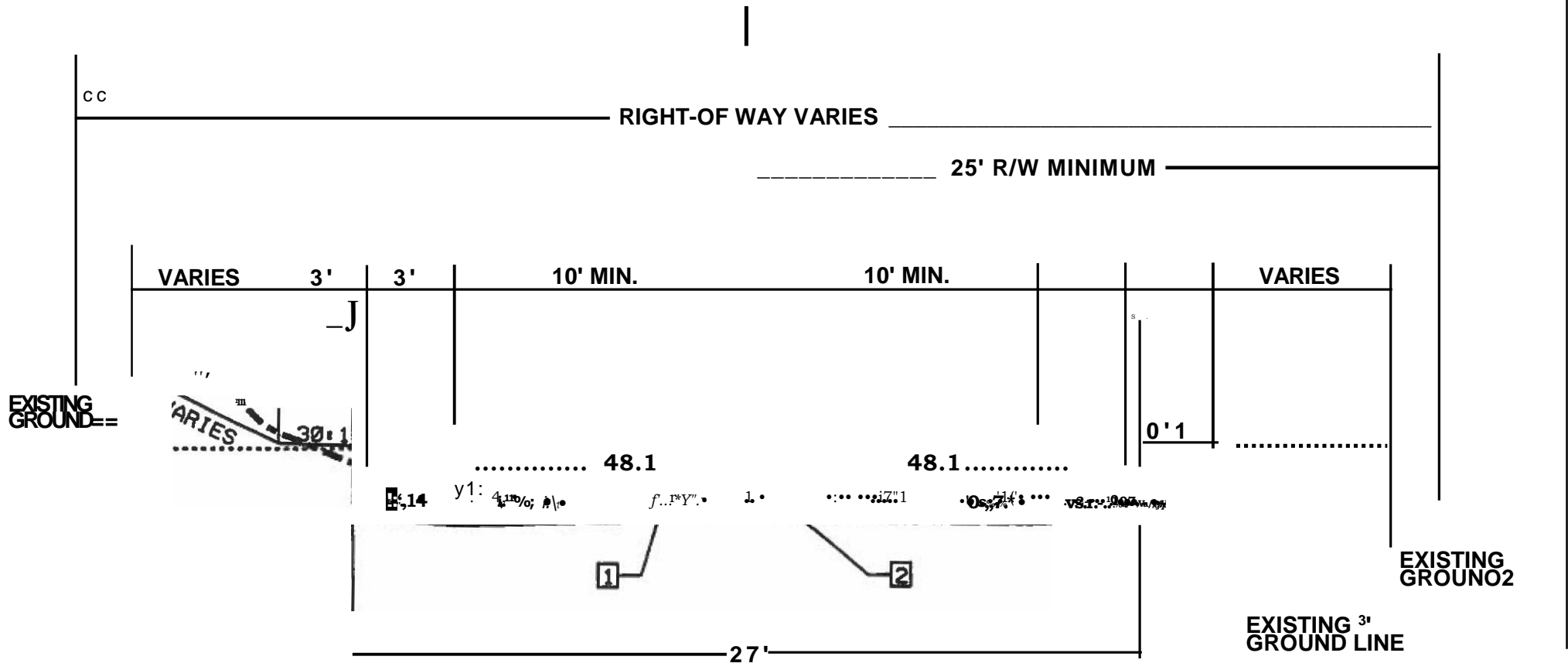
Item No.	Description	Quantity	Unit	Unit Price	Total Unit Price
	=				
1	Mobilization	NEC	LS		
2	Engineering and CEI	NEC	LS		
3	Clearing & Grubbing Right-of-Way	NEC	LS		
4	Site Excavation	NEC	LS		
5	Unclassified Excavation		CY		
6	Contingent Borrow Excavation		CY		
7	Dressing Shoulders		LF		
8	Graded Aggregate Base Course - 4"		SY		
9	Contingent Maintenance Stone		TON		
10	Traffic Control	NEC	LS		
11	15" HDPE, Smooth Core, 24' Lengths		LF		
12	18" HDPE, Smooth Core, 24' Lengths		LF		
13	15" RCP, Cass III		LF		
14	18" RCP, Cass III		LF		
15	Rip Rap, Class B		TN		
16	Type-9 Catch Basin		EA		
17	Drop Inlet (24"x36"x3')		EA		
18	Drop Inlet (24"x36"x4')		EA		
19	Silt Fence		LF		
20	Grassing		AC		

ORANGEBURG COUNTY



ORANGEBURG COUNTY

I



**Vendor Qualifications and Information RFP No.
FY16-0914 Design Build Road Construction**

Vendor shall provide with its proposal, the following which should be collated, fastened together and clearly labeled "Vendor's Certification of Qualifications and Information for RFP No. FY16-0914:

- 1. Documentation of vendor's general comparative experience(s) to demonstrate vendor has a minimum of three (3) years road engineering and contractor in road construction experience providing full, on-site operation. The minimum general comparative experience for this procurement is the successful completion of three (3) years of experience. All three (3) years do not have to be with the same client: vendor may accumulate the three (3) year minimum from vendor's service to several road construction vendors**

- 2. Documentation of vendor's specific comparative experience(s) to demonstrate that vendor has a minimum of one successfully completed, one-year period of being the exclusive provider of design build road construction projects. The minimum specific comparative experience required for this procurement is one successfully completed, one-year period of being the exclusive provider of design build. The description of vendor's experience(s) should highlight whatever parallels vendor believes exist between the procurement described in RFP No. FY15-0220 and vendor's actual experience(s).**

- 3. Documentation of a contractual relationship between vendor and a client for a current or recent design build services contract pursuant to which vendor has been the exclusive provider. One-year period. Please limit documentation to no more than five (5) contracts.**

- 4. Three positive client references.**

- 5. Documentation of the qualifications of vendor's proposed staff to include engineering staff.**

- 7. Vendor's current organizational chart and a description of the general history of the vendor.**

8. Documentation of the vendor's financial stability, such as a copy of its most recent annual report

10. A description of any litigation within the last 10 years to which vendor has been a party

11. Certificate of Insurance showing Workmen's Compensation Coverage and all other relevant insurance coverage's

Evaluation Criteria

RFP No. FY16-0914. Design-Build Road Construction

If the County decides to go forward with the procurement, the award shall be made to the vendor whose proposal the County determines to be the most advantageous to the County taking into consideration the evaluation factors stated in this section. The evaluation shall be based in part on the County's review and/or verification of the Vendor Qualifications Responses. The factors to be considered in evaluating proposals are as follows, and are list in order of relative importance:

1. Demonstrated compliance with the design requirements;
2. Vendor qualifications;
3. Financial capacity;
4. Project schedule;
5. Price (or life-cycle price for design-build-operate-maintain and design-build-finance operate-maintain procurements); and
6. Other factors, if any,

The method of selection, Competitive Seal Proposals, does not require a numerical weighting for each factor. See Code §5-304.7.

|

Certified Proposal-Engineering/Construction

RFP No. FY16-0914 Design Build Road Construction

Vendor proposes to perform the Scope of Work within _____ number of days (to be discussed at mandatory pre-bid)

Total Bid (All roads) from each Unit Price Work Sheets \$ _____

By signature below, the submitting vendor certifies the foregoing proposal in the following respects: proposal prices are firm for a minimum of 90 days from the date of opening; this proposal is made without prior understanding, agreement, or connection with any other submitting vendor; and this proposal is in all respects fair and without collusion or fraud.

Printed Vendor Name

Signature of Vendor's Authorized Agent

Date _____

Printed Name of Vendor's Authorized Agent

Title with Vendor of Vendor's Authorized Agent

Certification of No Exceptions

RFP No. FY16-0914 Design — Build Road Construction

The Code requires vendors to give written notice with a submission if vendor will not accept a term of the RFP and the incorporated Code as a contract term. See Code §4-302. In connection with that requirement, a vendor must complete this certification and include it in its submission. Vendor certifies the following regarding its proposal(s):

1. Vendor **AGREES** to all of the terms of the RFP (including the incorporated Code terms) and takes **NO EXCEPTIONS**: Yes No

2. Vendor does **NOT AGREE** to all of the terms of the RFP (including the incorporated Code terms), and a **COMPLETE LIST OF VENDOR'S EXCEPTIONS** to same are listed and described below:

Yes No

Identification

Of Excepted Vendor's

Term Description of vendor's substituted term Initials

Exception 1:

Exception 2:

Exception 3:

Exception 4:

Exception 5:

The undersigned vendor hereby certifies that the above-listed exceptions comprise the only exceptions vendor has to the RFP (including the incorporated Code terms). The undersigned vendor understands and agrees that if it is the successful vendor, its attempt to claim any exceptions other than those listed above, shall result in the County having the right to claim the bid security bond, retract the intent to award or award, award to another vendor, and suspend and/or debar the vendor.

Printed Vendor Name

Signature of Vendor's Authorized Agent

Date _____

Printed Name of Vendor's Authorized Agent

Title with Vendor of Vendor's Authorized Agent

Addendum Acknowledgement

RFP No. FY16-0914 Design—Build Road Construction

Vendor acknowledges receipt of the follow Addendum to the above-described procurement, agrees that same is/are hereby incorporated and made a part of the above-described procurement as if the Addendum had been included in the original procurement documents:

Addendum No.	Addendum Date	Initials of Vendor's Authorized Agent
_____	_____	_____
_____	_____	_____
_____	_____	_____

Vendor shall submit a completed Addendum Acknowledgement form with its submission. Vendor may be disqualified from this procurement unless vendor submits a completed addendum Acknowledgement form referring to this Addendum with vendor's proposal.

